

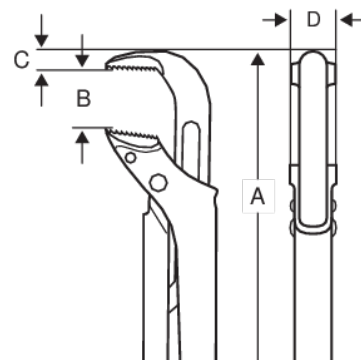


**1410/1420**  
**ERGO™ Swedish Model 90° Pipe**  
**Wrenches**



**PRODUCT DETAILS**



- Pipe wrench developed according to the scientific ERGO™ process
- Comfortable two-component ERGO™ handle
- True ergonomic design for optimal comfort and increased productivity
- Slim design of the head allows excellent accessibility in confined spaces compared to many other types of pipe wrenches
- Gripping capacity up to 38 mm (1 1/2") and a jaw opening up to 66 mm (2 2/3")
- Patented progressive teeth for better grip
- Anti-rust treated high-alloy steel with induction hardened teeth
- The nut can be blocked in the desired position with the adjustment screw. Safety stop prevents threading-off
- Finger pinching protection thanks to the curved design
- Standards: DIN 5234



**Follow the Fish!**



## PRODUCT ATTRIBUTES

Product	<b>A</b>	<b>B</b>	<b>C</b>	<b>D</b>		
<b>1410</b>	320 mm	50 mm	11.7 mm	18.8 mm	1 in	610 g
<b>1420</b>	430 mm	75 mm	14.87 mm	20.8 mm	1 1/2 in	1105 g

**Follow the Fish!**

