

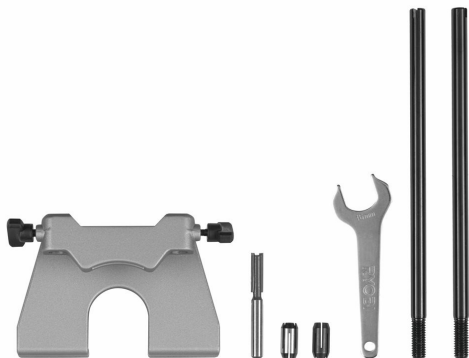
18V ONE+™ Cordless Trim Router (Bare Tool) RTR18-0



- Cordless 18V 1/4" trim router ideal for adding edge profiles to enhance woodworking projects
- Micro depth adjustment for precise and accurate cutting
- Transparent base offers stability and accuracy
- LED light illuminates your work area for better visibility on working material
- As part of the ONE+™ system for the home and garden, this tool can be powered by any ONE+™ battery!



Power	18V
Max. cutting capacity (mm)	38
Collet capacity (mm)	6 & 6.35
No load speed (rpm)	20,000 - 30,000
Weight with battery pack (EPTA) (kg)	1.6
Article Number	5133005654
Battery pack capacity (Ah)	4.0
Battery type	Li-ion
Charger included	No
Collet capacity (mm)	6 & 6.35
EAN Code	4892210206909
No. of batteries supplied	0
Standard equipment	6mm collet, 6.35mm collet, 6.35mm straight cutter, edge guide
Supplied in	Over 75% recycled cardboard carton
Vibration plunge router uncertainty[m/s ²]	2.4
Vibration uncertainty (m/s ²)	1.5
Weight (without battery) (kg)	1.2



*Registration required for extension from 2-3 years. Please visit our site for full [T&C's](#)